

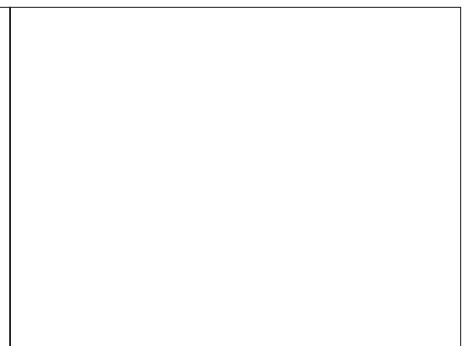
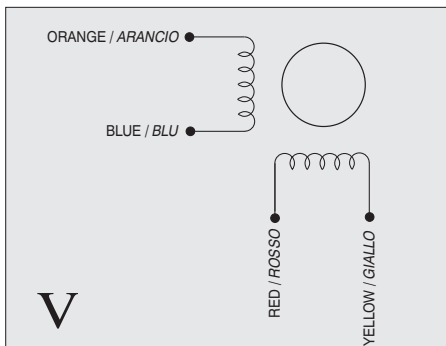
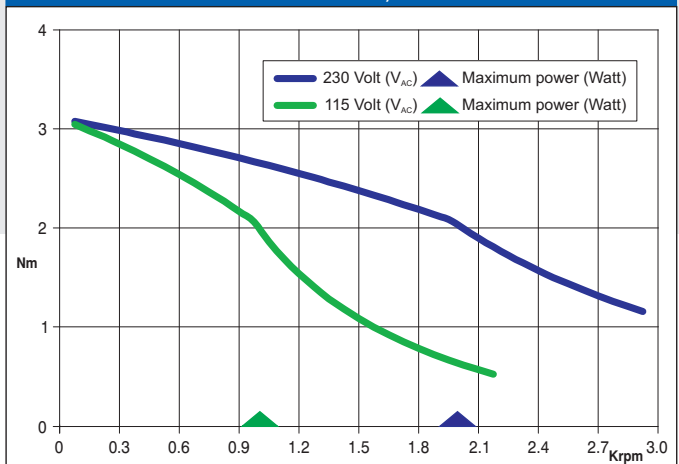
T IS THE EARTH TERMINAL.

Dimensions in mm.

**FEATURES
CARATTERISTICHE**

MODEL MODELLO	SM2861 - 5055	
BASIC STEP ANGLE	1.8° ± 0.09°	
BIPOLAR PARALLEL CURRENT	(Amp)	2
RESISTANCE	(Ohm)	2.2
INDUCTANCE	(mH)	15
BIPOLAR HOLDING TORQUE	(Ncm)	360
ROTOR INERTIA	(Kgm ² x 10 ⁻⁷)	1480
THEORETICAL ACCELERATION	(rad x sec. ⁻²)	24300
BACK E.M.F.	(V/Krpm)	180
MASS	(Kg)	1.7
INTERNATIONAL STANDARDS	UL, CSA, CE, RoHS	
INSULATION VOLTAGE	(V)	250 Vac (350 Vdc)
PROTECTION DEGREE - INSULATION CLASS	IP43 - F	
LEADS CODE	V	

**TORQUE/SPEED CURVE
CURVA DI COPPIA/VELOCITÀ**



Suggested R.T.A. driver: X-PLUS B Series, X-MIND Series.



R.T.A. s.r.l.
Via E. Mattei - Fraz. Divisa
27020 MARCIGNAGO (PV) ITALY
Tel. +39.0382.929.855 - Fax +39.0382.929.150
www.rta.it

R.T.A. Deutschland GmbH
Bublitzer Straße 34
40599 DÜSSELDORF (Germany)
Tel. +49.211.749.668.60 - Fax +49.211.749.668.66
www.rta-deutschland.de

R.T.A. IBERICA-Motion Control Systems S.L.
C/Generalitat 22, 1° 3°
08850 GAVA - BARCELONA (Spain)
Tel. +34.936.388.805 - Fax +34.936.334.595
www.rta-iberica.es